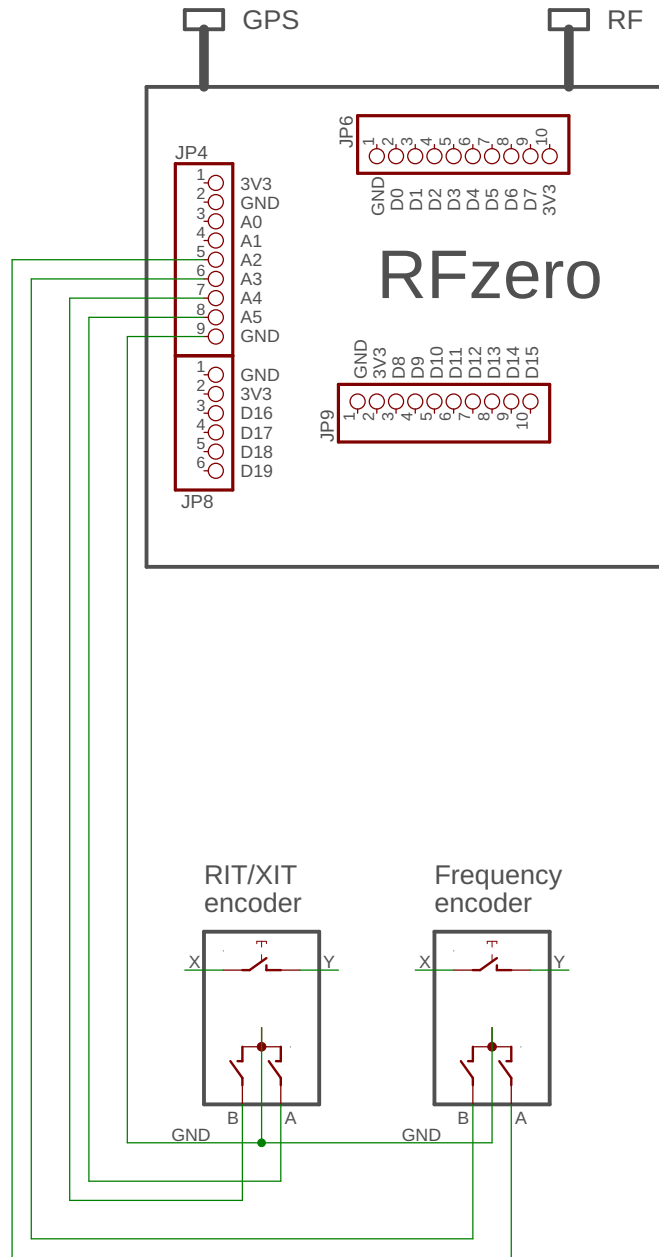


RFzero

VFO
external connections

Medium configuration



TITLE: VFO

Document Number:

REV:

Date: 14-04-2021 21:53

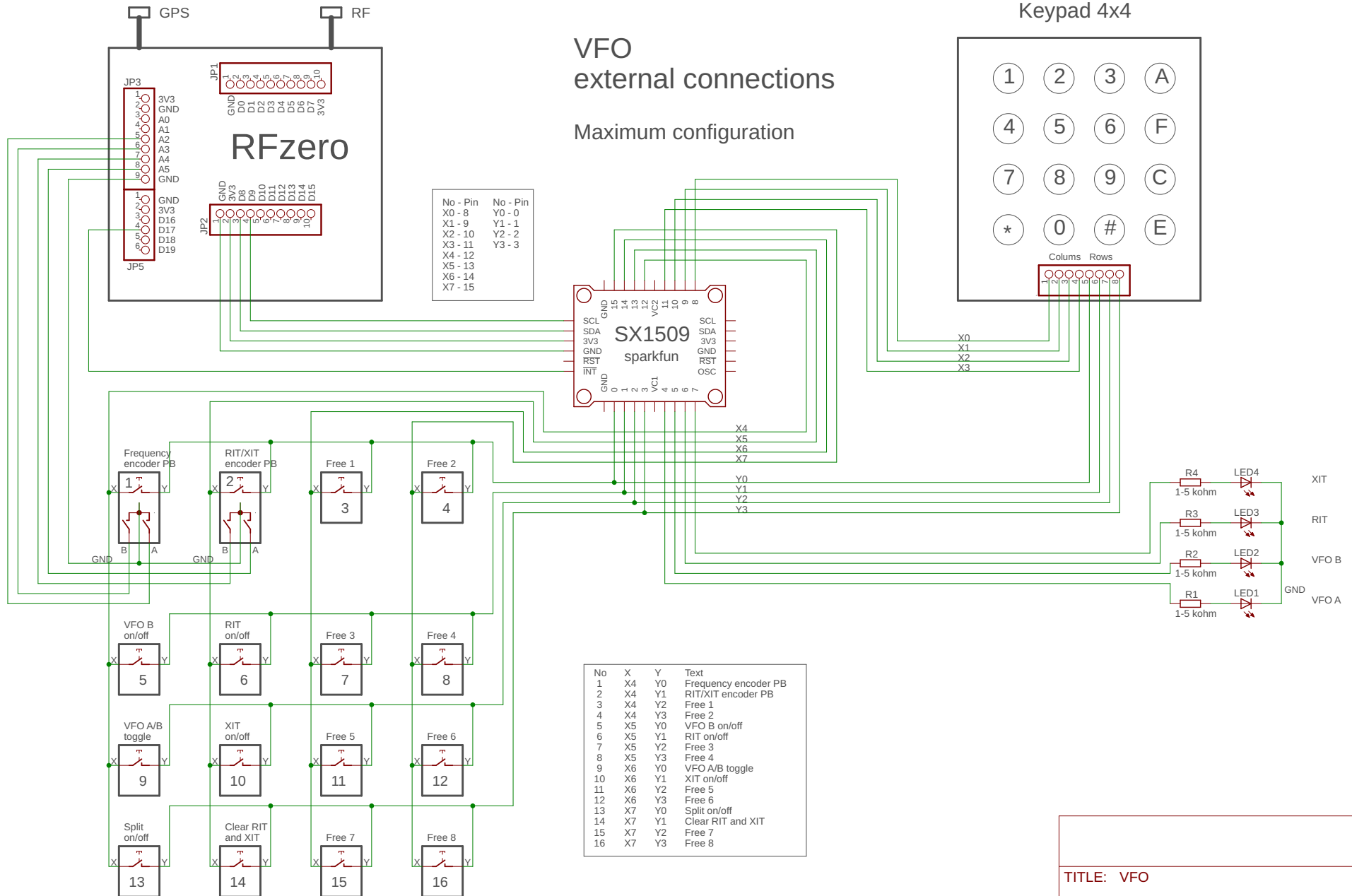
Sheet: 1/2

RFzero

VFO
external connections

Maximum configuration

Keypad 4x4



No - Pin	No - Pin
X0 - 8	Y0 - 0
X1 - 9	Y1 - 1
X2 - 10	Y2 - 2
X3 - 11	Y3 - 3
X4 - 12	
X5 - 13	
X6 - 14	
X7 - 15	

No	X	Y	Text
1	X4	Y0	Frequency encoder PB
2	X4	Y1	RIT/XIT encoder PB
3	X4	Y2	Free 1
4	X4	Y3	Free 2
5	X5	Y0	VFO B on/off
6	X5	Y1	RIT on/off
7	X5	Y2	Free 3
8	X5	Y3	Free 4
9	X6	Y0	VFO A/B toggle
10	X6	Y1	XIT on/off
11	X6	Y2	Free 5
12	X6	Y3	Free 6
13	X7	Y0	Split on/off
14	X7	Y1	Clear RIT and XIT
15	X7	Y2	Free 7
16	X7	Y3	Free 8